

Data subject to change without prior notice
Edition 10/2022 © 2022 JMG Cranes S.p.A. All rights reserved
Rev. 2 - 10/22



Electric Pick & Carry Cranes

JMG Cranes S.p.A.

Sales & Service Office

Via Bergamo, 142

26100 Cremona - Italy

t +39 0372 1786738

Production Plant

Via Zuccherificio 2

29010 Sarmato (PC) - Italy

t +39 0523 8486

e info@jmgcranes.com



**MC100
HYBRID (metric)**

**Max Capacity
10.000 kg**

www.jmgcranes.com

JMG[®]
movetosolution

MC 100 HYBRID

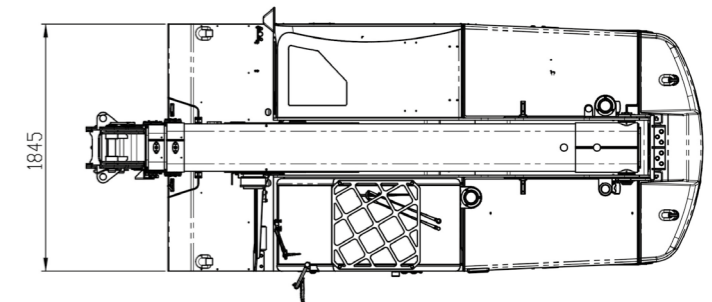
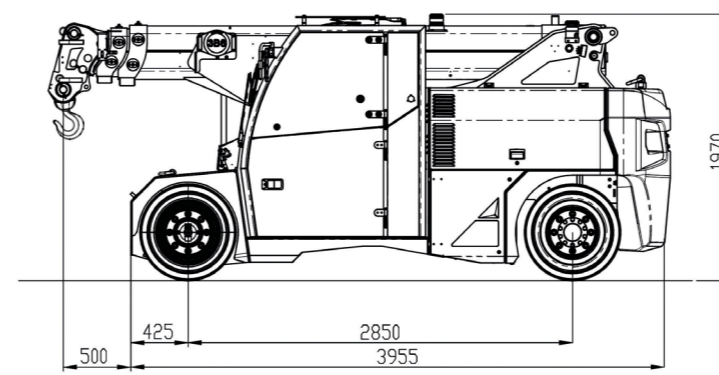
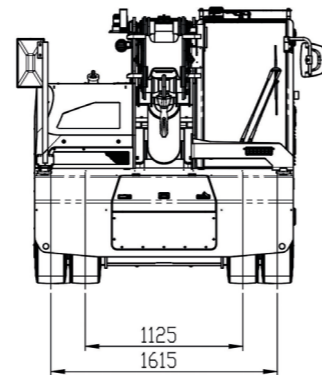
MOBILE HYBRID CRANE WITH DIESEL GENERATOR FOR BATTERY CHARGING
 FRONT-WHEELS DRIVE WITH COUNTER ROTATION
 TELESCOPIC BOOM
 FULL ELECTRIC



Technical features

Max Capacity kg	10,000	Front-wheels drive. N°2 electric motors AC 7,5 kW 80V. Insulation class H	LMI. Electronic safe load indicator and tilting moment limiter
	Dimension mm	3955x1845x1970	Hydraulically foot controlled service brake on all wheels, hydraulically automatic or button controlled parking brake on front wheels
83.2 V - 420 Ah 4 working hours in full electric + 4 working hours in hybrid mode		Fabricated from preformed and welded quality steel plate	+63°/-10°
Front nr. 4 superelastic 250x15/15" Rear nr. 2 superelastic 250x15/15."	Motor driven pump 20 kW- 80 V AC	Rear steering Steering angle -90/+90	

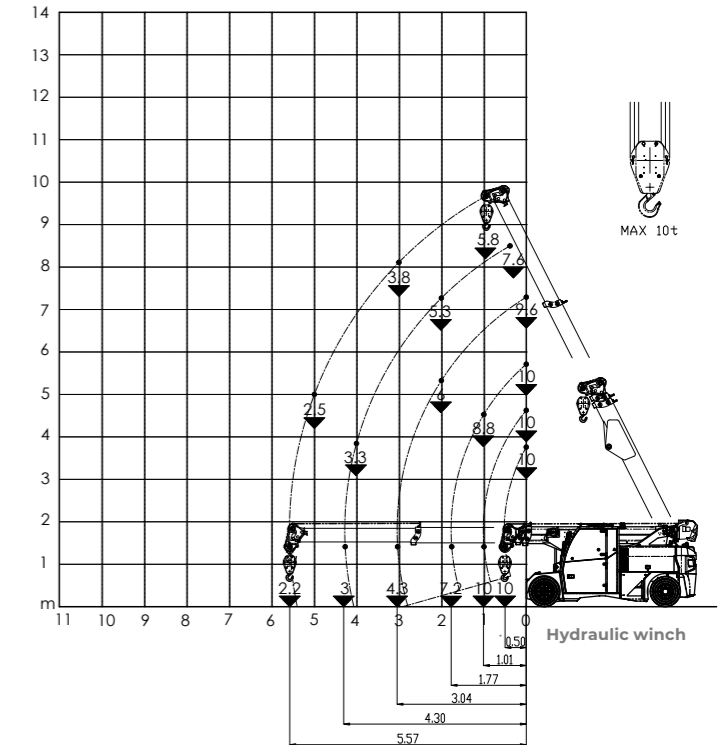
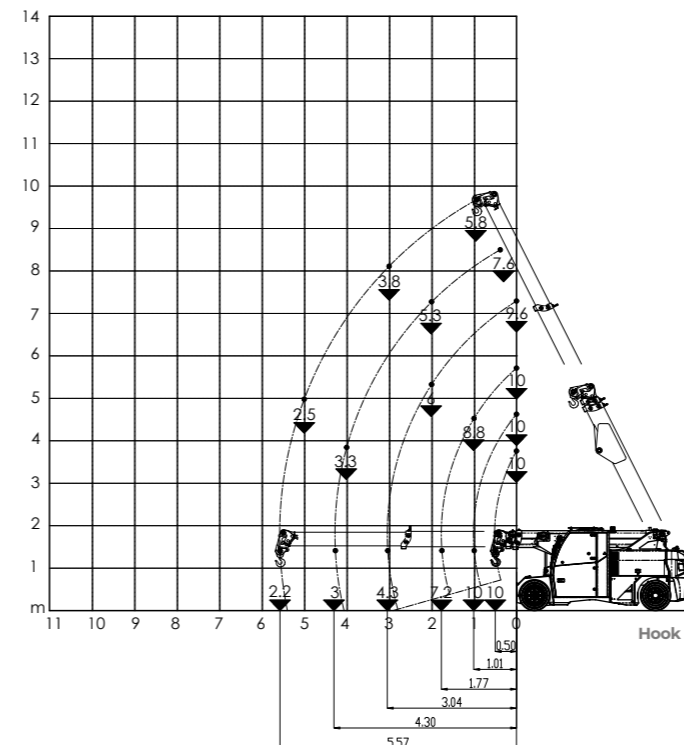
Dimensions



Options:

- HYDRAULIC WINCH
- HYDRAULIC JIB WITH HYDRAULIC EXTENSION
- MANUAL JIB
- MANUAL EXTENSION
- NON-MARKING TIRES
- RADIO REMOTE CONTROL
- HYDRAULIC FORKS
- MAN BUCKET
- ATEX CONVERSIONS
- CUSTOMIZED PAINTING

Load charts

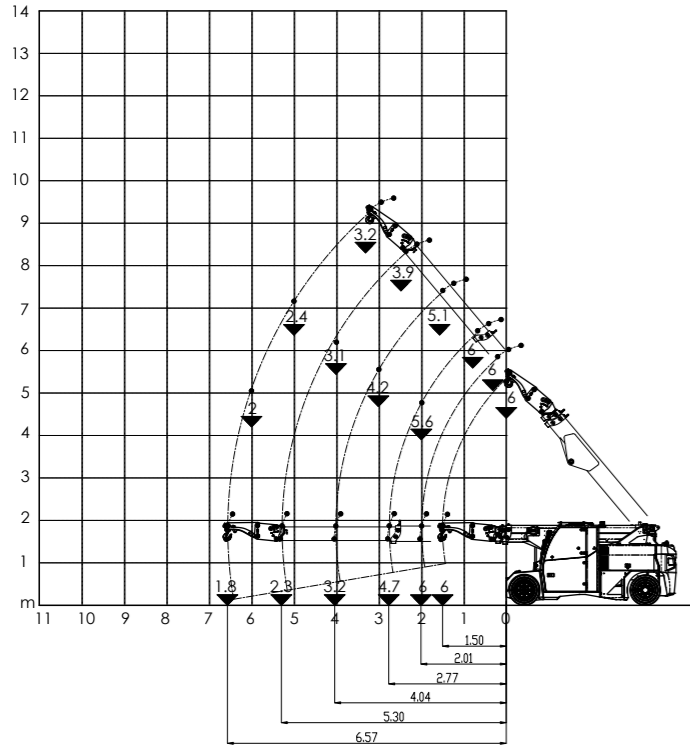


EU Standards CE

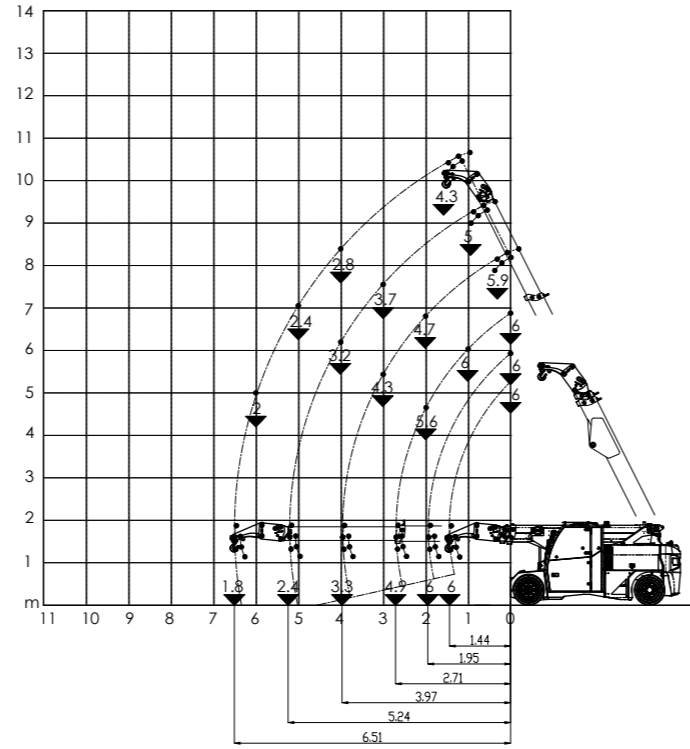
	UNI ISO 4301-2: A1
	2006/42 CE-2014/30 UE-2014/35 UE- 2000/14 and subsequent modifications
	EN 13000:2014 ANSI/ASME B30.5-2011 and subsequent modifications

MC 100 HYBRID

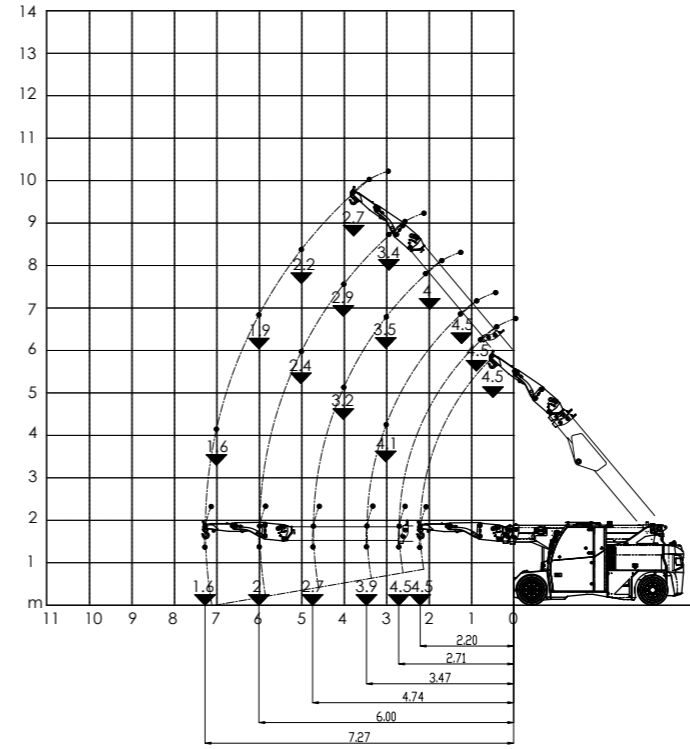
Manual jib 6T Hook up



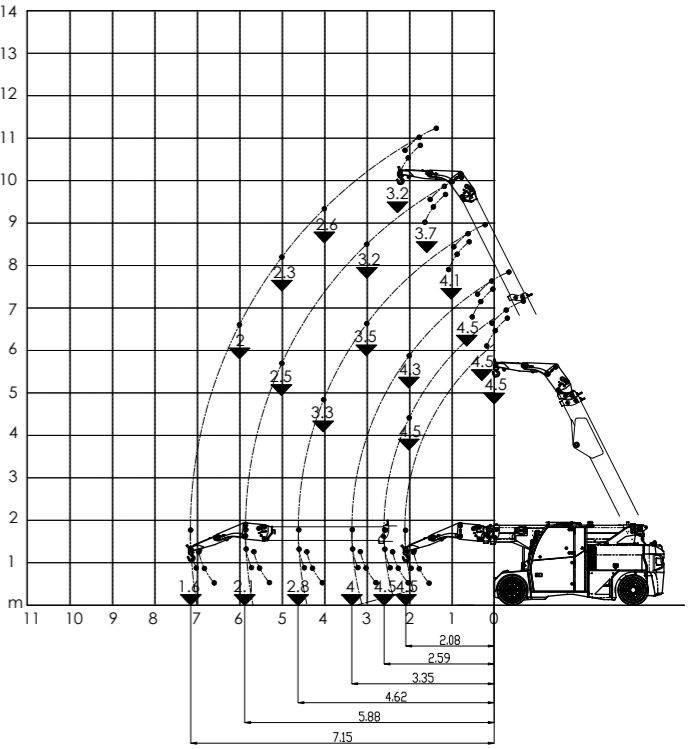
Manual jib 6 T Hook down



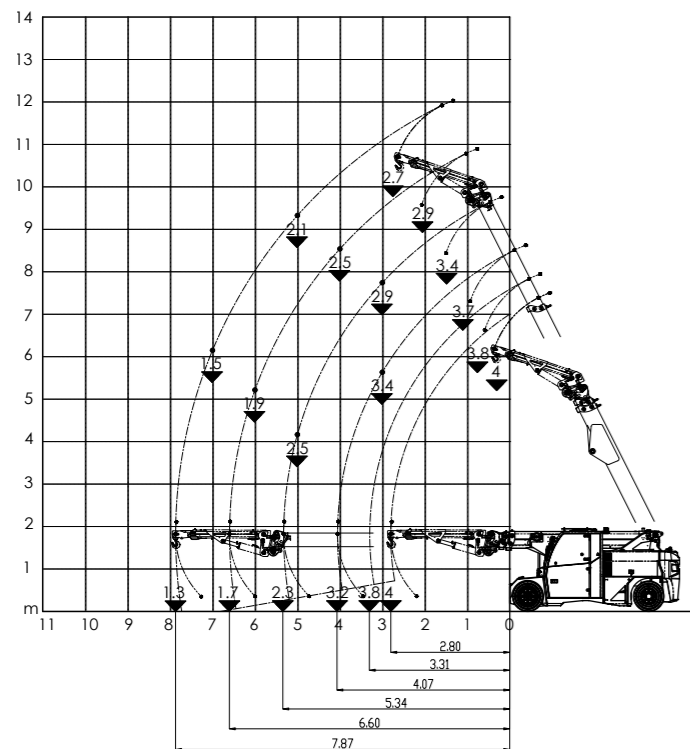
Manual jib extension 4,5T hook up



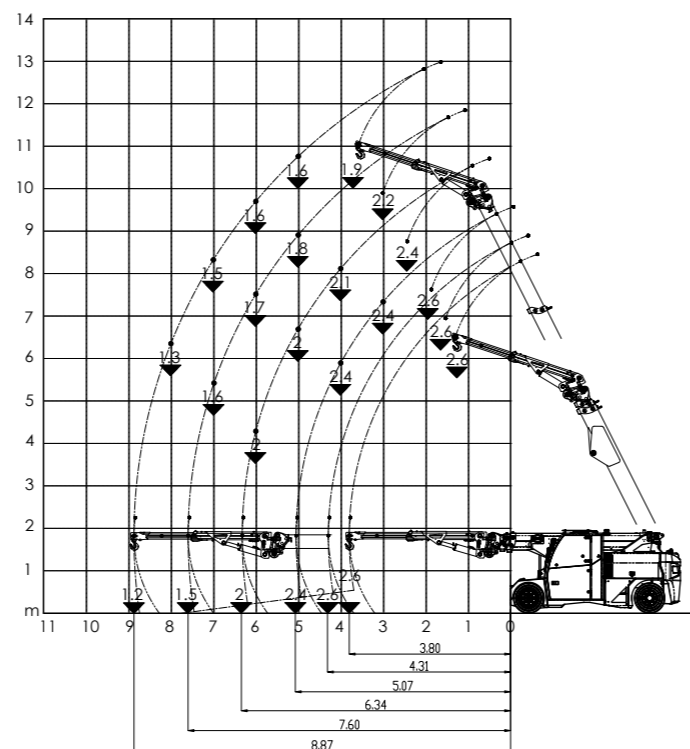
Mechanic jib extension 4,5T hook down



closed hydraulic jib



open hydraulic jib



Hydraulic forks 6T

