

DIAGRAMMA DELLE PORTATE (t)
 CAPACITY DIAGRAM (t)
 TRAGLASTDIAGRAMM (t)
 LASTENDIAGRAM (t)
 TABLEAU DES CHARGES (t)
 DIAGRAMA DE LAS CARGAS (t)

JMG

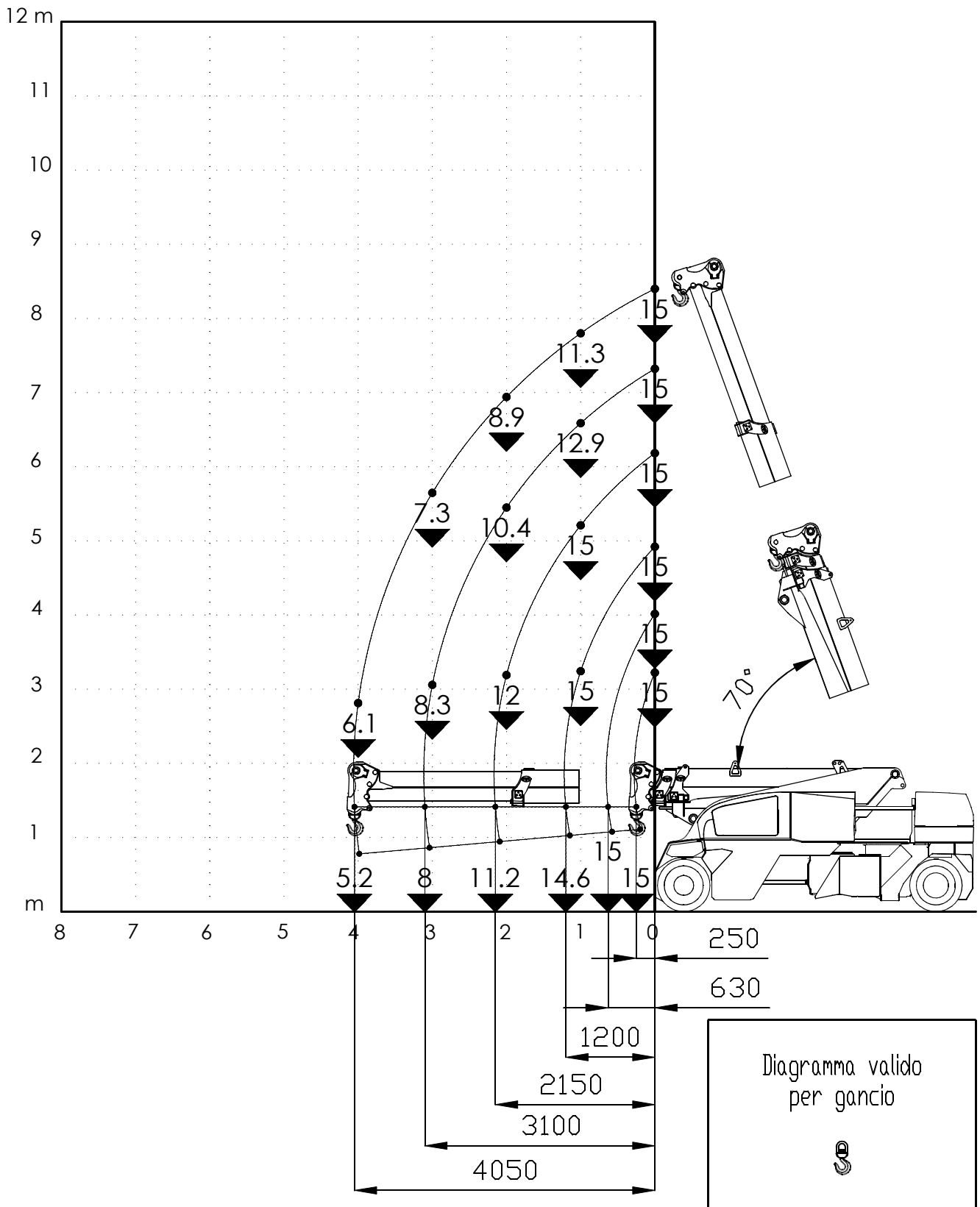



Diagramma valido
 per gancio

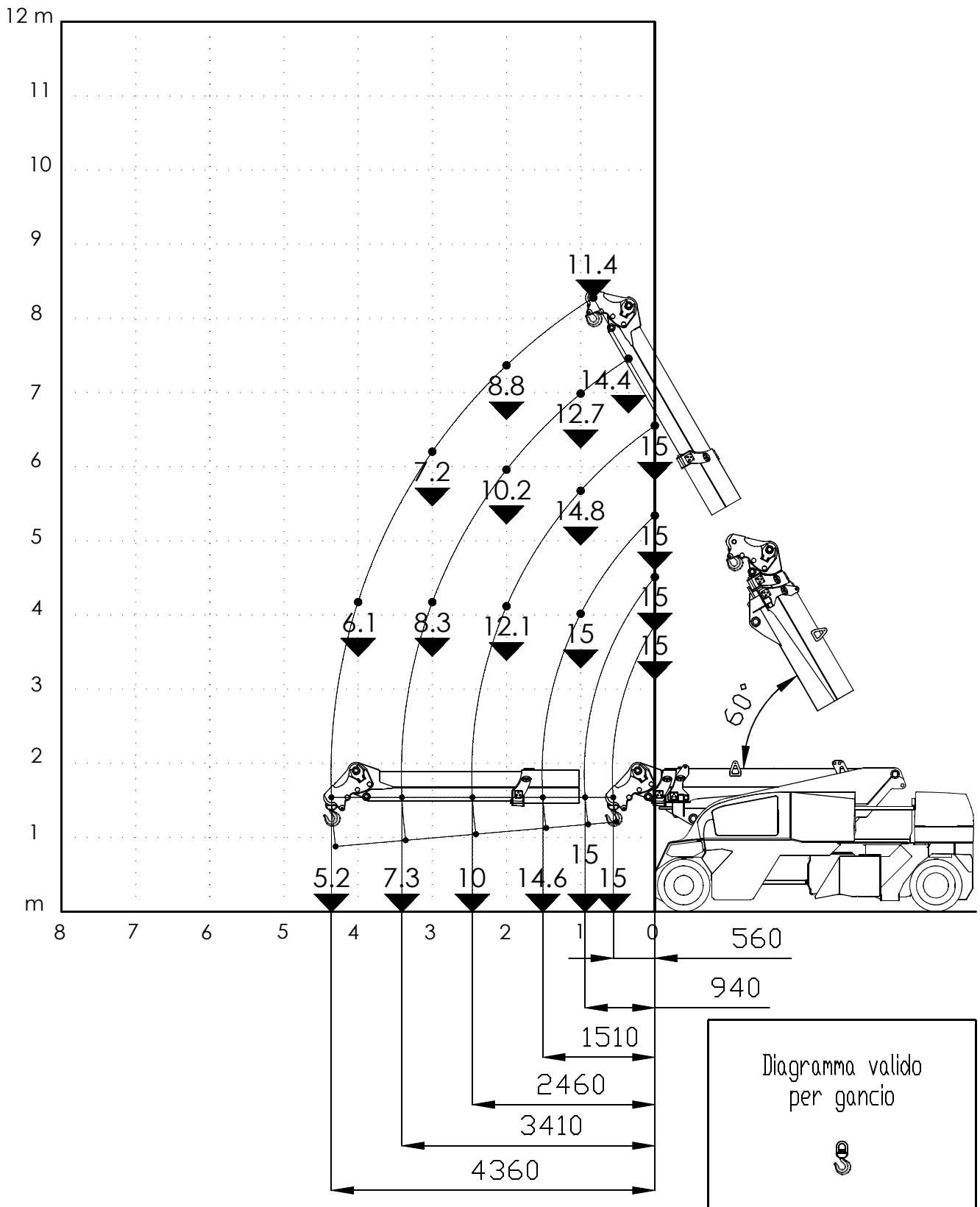


MC100.08

Braccio corto - Sfilo 800 - Z1+Z2
 Cod.:090-DIA-10039 Scala 1:75

DIAGRAMMA DELLE PORTATE (t)
 CAPACITY DIAGRAM (t)
 TRAGLASTDIAGRAMM (t)
 LASTENDIAGRAM (t)
 TABLEAU DES CHARGES (t)
 DIAGRAMA DE LAS CARGAS (t)

JMG



MC100.08

Braccio corto - Sfilo 800 - Z1+Z2
 Cod.:090-DIA-10059 Scala 1:75

DIAGRAMMA DELLE PORTATE (t)
 CAPACITY DIAGRAM (t)
 TRAGLASTDIAGRAMM (t)
 LASTENDIAGRAM (t)
 TABLEAU DES CHARGES (t)
 DIAGRAMA DE LAS CARGAS (t)

JMG

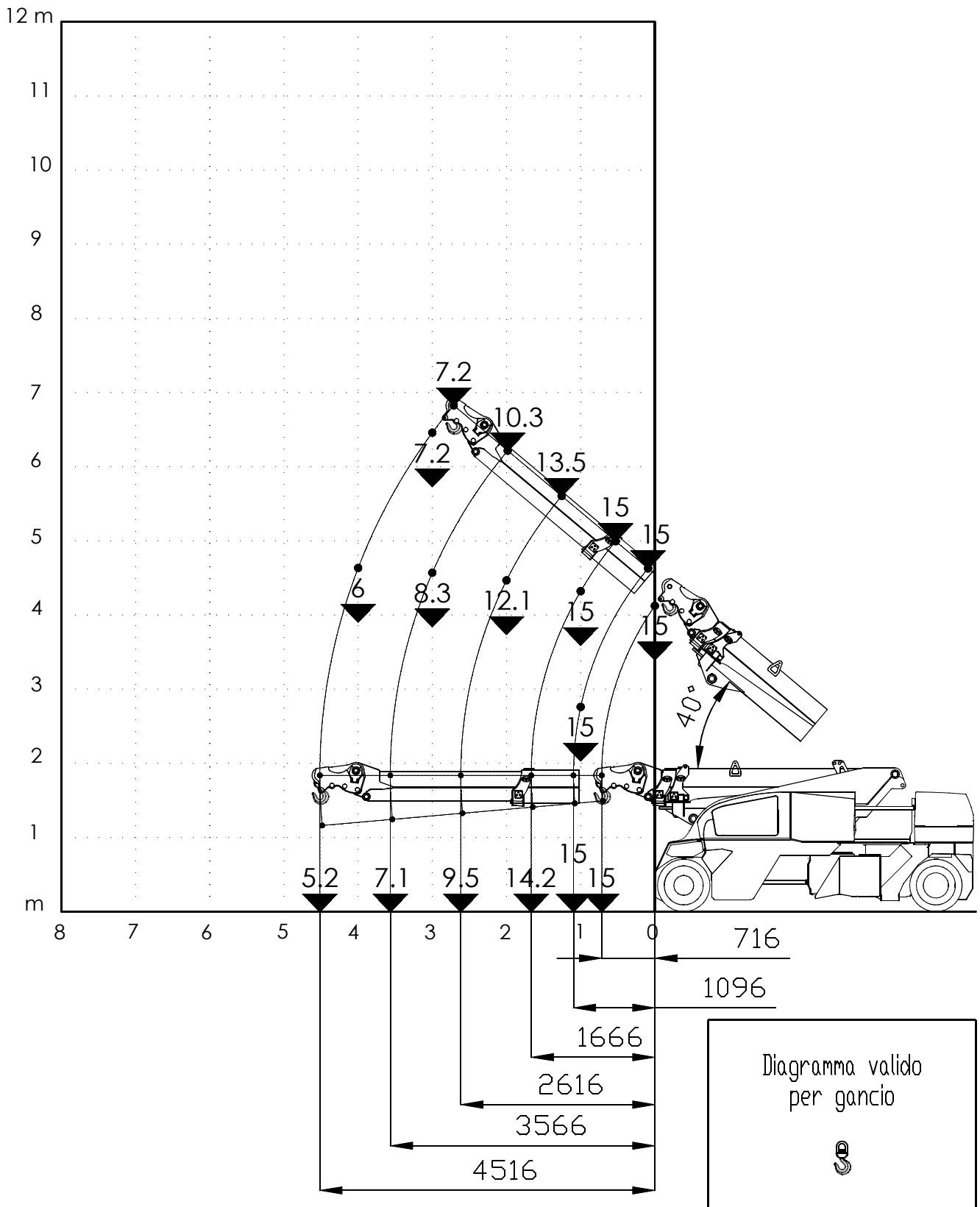



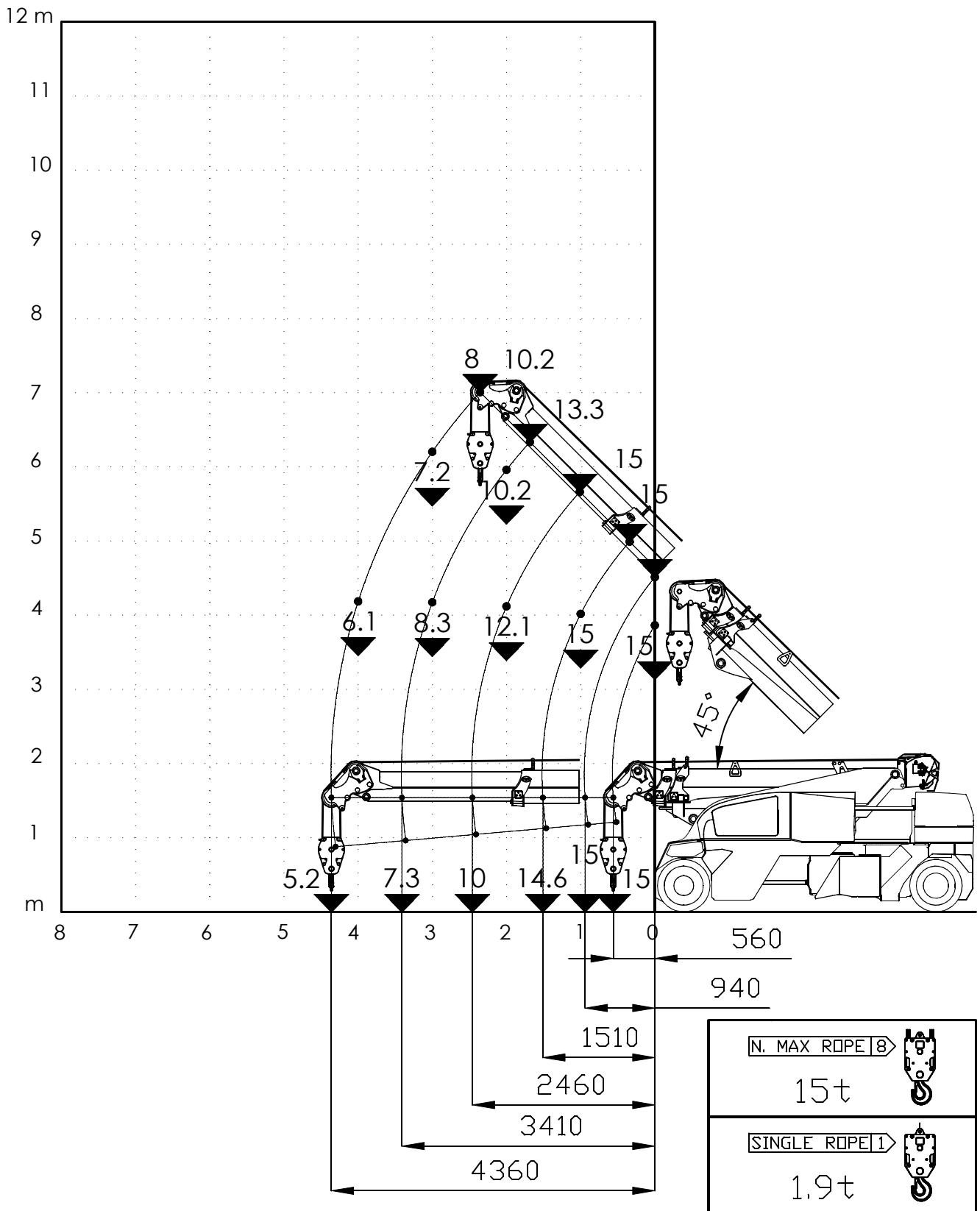
Diagramma valido
 per gancio


MC100.08

Braccio corto - Sfilo 800 - Z1+Z2
 Cod.:090-DIA-10079 Scala 1:75

DIAGRAMMA DELLE PORTATE (t)
 CAPACITY DIAGRAM (t)
 TRAGLASTDIAGRAMM (t)
 LASTENDIAGRAM (t)
 TABLEAU DES CHARGES (t)
 DIAGRAMA DE LAS CARGAS (t)

JMG

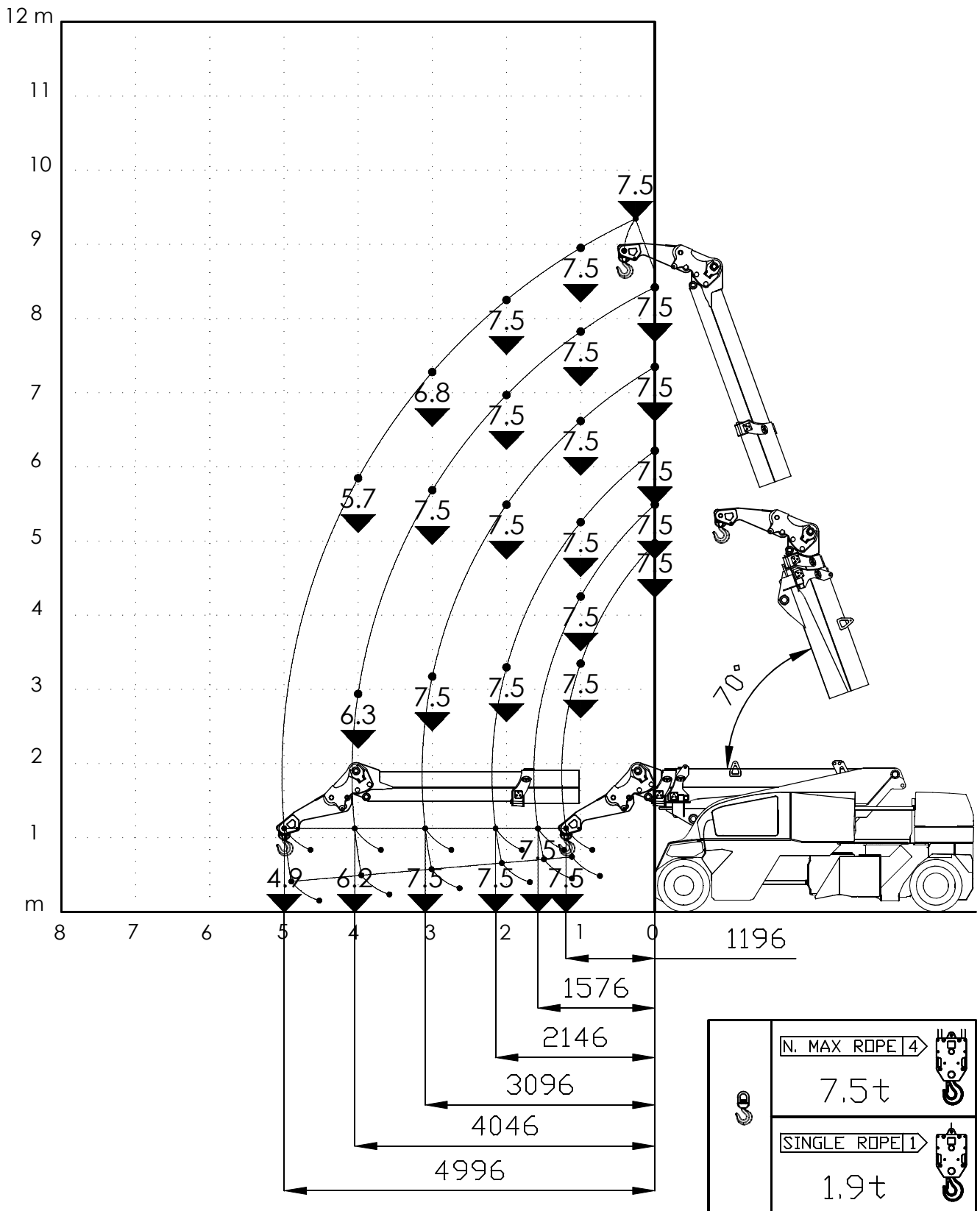


MC100.08

Braccio corto - Sfilo 800 - Z1+Z2
 Cod.:090-DIA-10069 Scala 1:75

DIAGRAMMA DELLE PORTATE (t)
 CAPACITY DIAGRAM (t)
 TRAGLASTDIAGRAMM (t)
 LASTENDIAGRAM (t)
 TABLEAU DES CHARGES (t)
 DIAGRAMA DE LAS CARGAS (t)

JMG

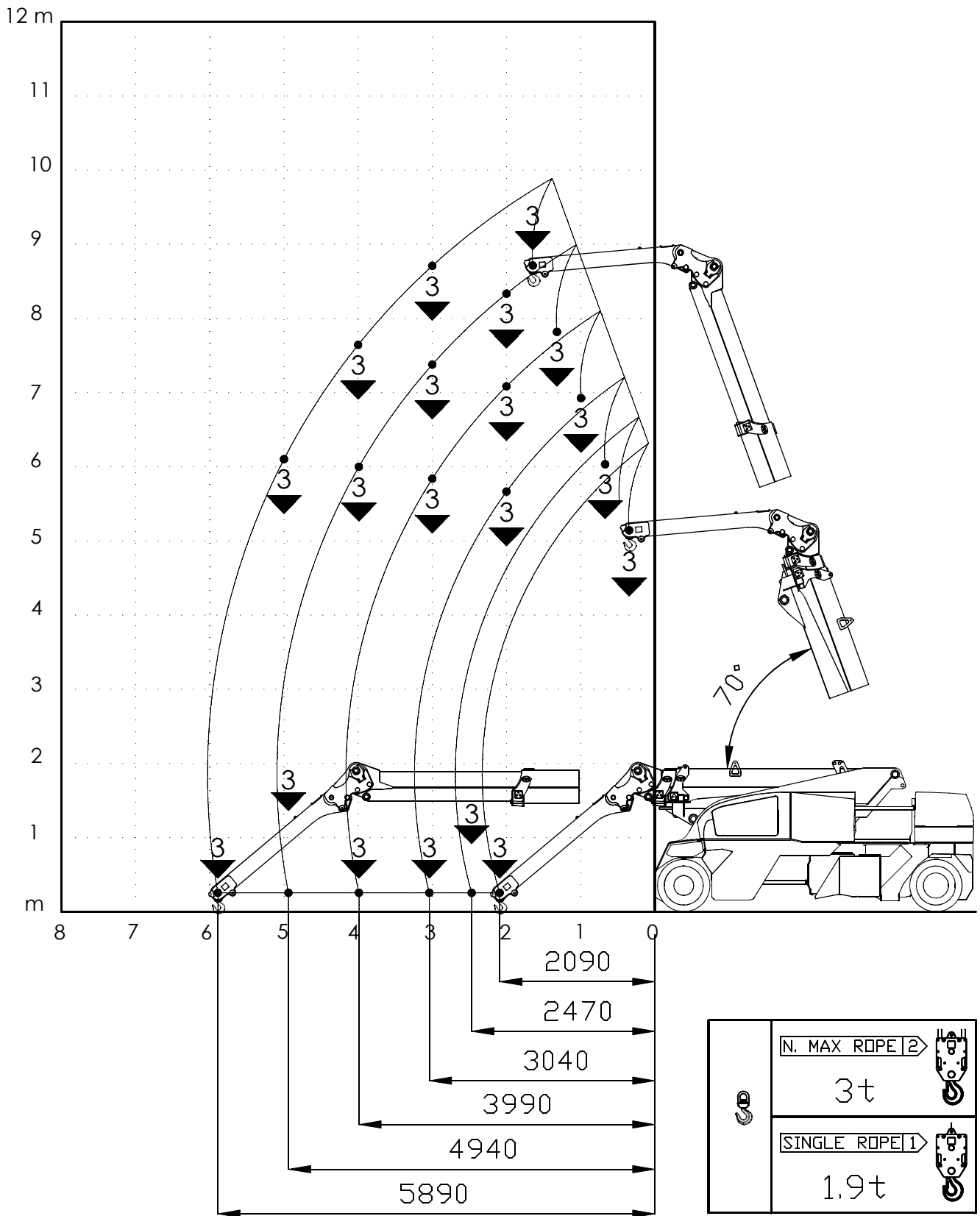


MC100.08

Braccio corto - Sfilo 800 - Z1+Z2
 Cod.:090-DIA-10089 Scala 1:75

DIAGRAMMA DELLE PORTATE (t)
 CAPACITY DIAGRAM (t)
 TRAGLASTDIAGRAMM (t)
 LASTENDIAGRAM (t)
 TABLEAU DES CHARGES (t)
 DIAGRAMA DE LAS CARGAS (t)

JMG

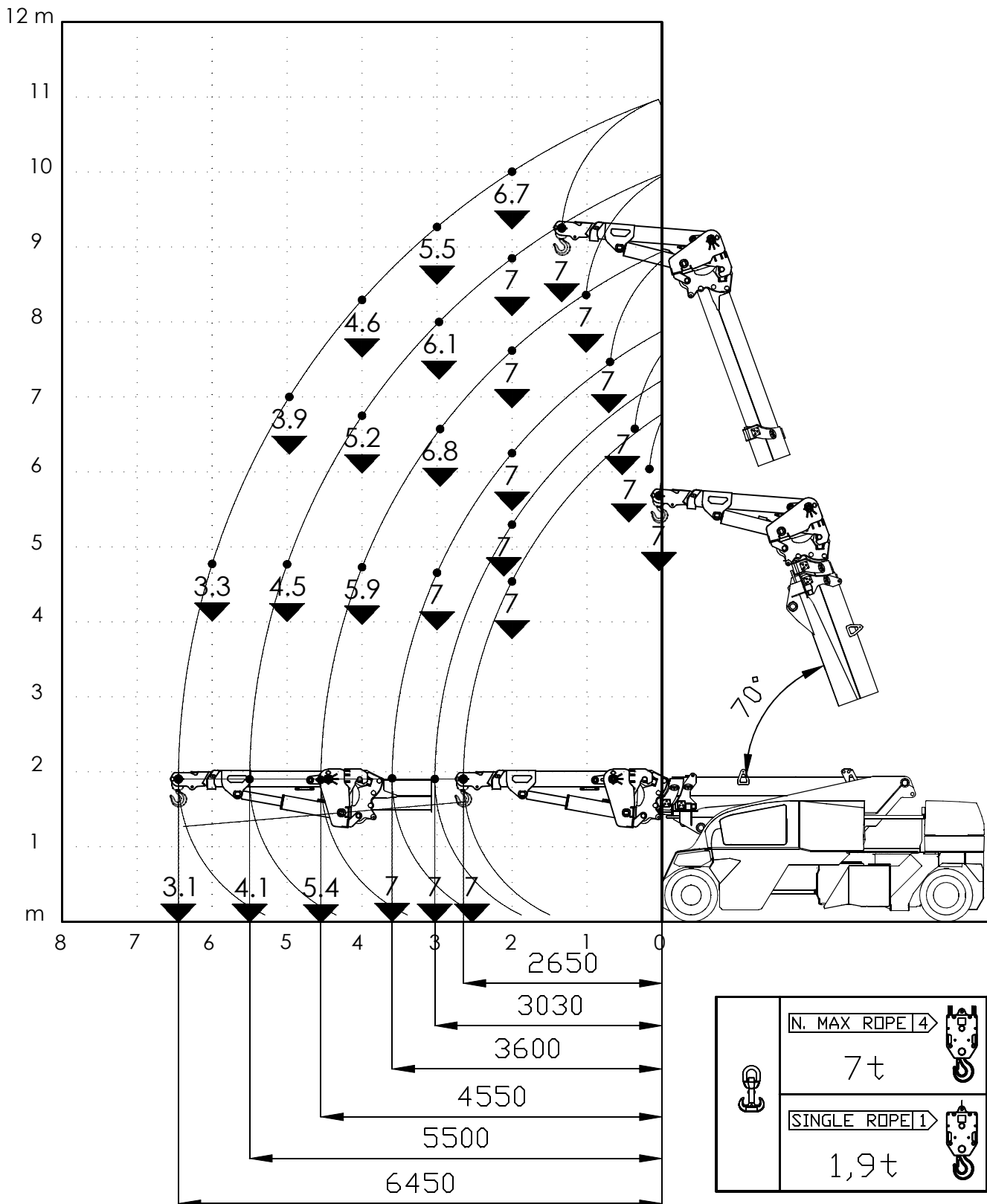


MC100.08

Braccio corto - Sfilo 800 - Z1+Z2
 Cod.:090-DIA-10431 Scala 1:75

DIAGRAMMA DELLE PORTATE (t)
 CAPACITY DIAGRAM (t)
 TRAGLASTDIAGRAMM (t)
 LASTENDIAGRAM (t)
 TABLEAU DES CHARGES (t)
 DIAGRAMA DE LAS CARGAS (t)

JMG

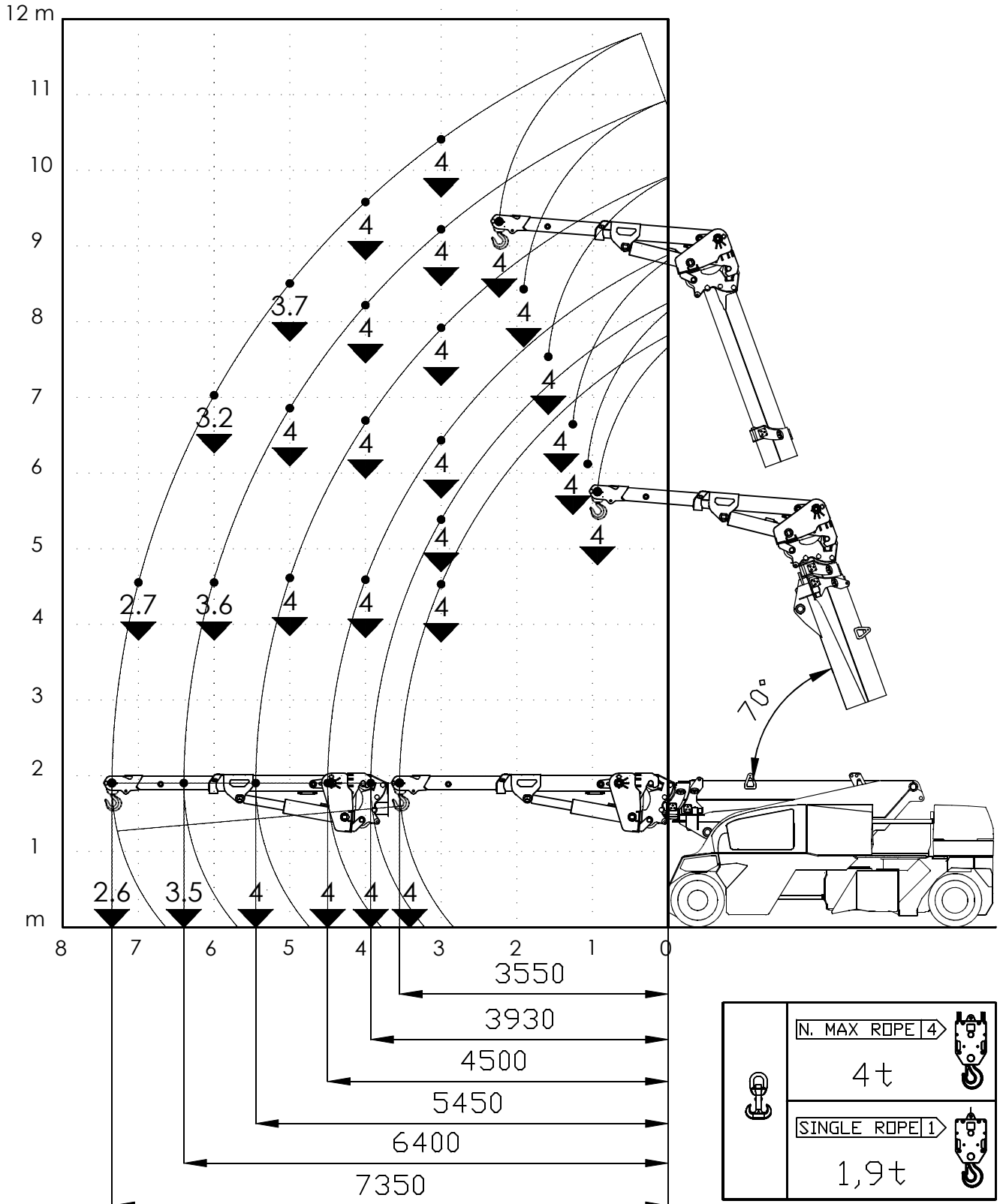


MC100.08

Braccio corto - Sfilo 800 - Z1+Z2
 Cod.:090-DIA-10109 Scala 1:75

DIAGRAMMA DELLE PORTATE (t)
 CAPACITY DIAGRAM (t)
 TRAGLASTDIAGRAMM (t)
 LASTENDIAGRAM (t)
 TABLEAU DES CHARGES (t)
 DIAGRAMA DE LAS CARGAS (t)

JMG

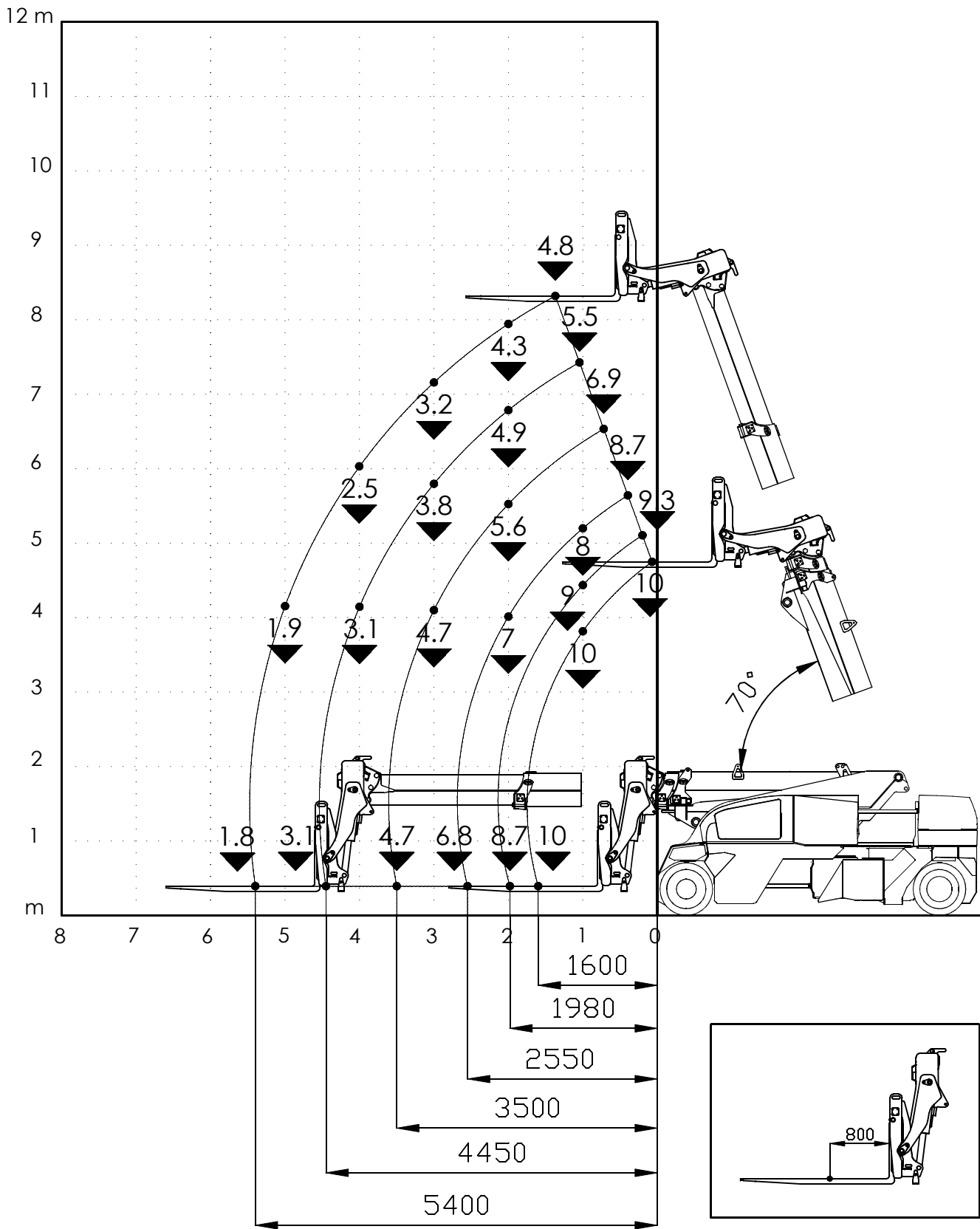


MC100.08

Braccio corto - Sfilo 800 - Z1+Z2
 Cod.:090-DIA-10119 Scala 1:75

DIAGRAMMA DELLE PORTATE (t)
 CAPACITY DIAGRAM (t)
 TRAGLASTDIAGRAMM (t)
 LASTENDIAGRAM (t)
 TABLEAU DES CHARGES (t)
 DIAGRAMA DE LAS CARGAS (t)

JMG

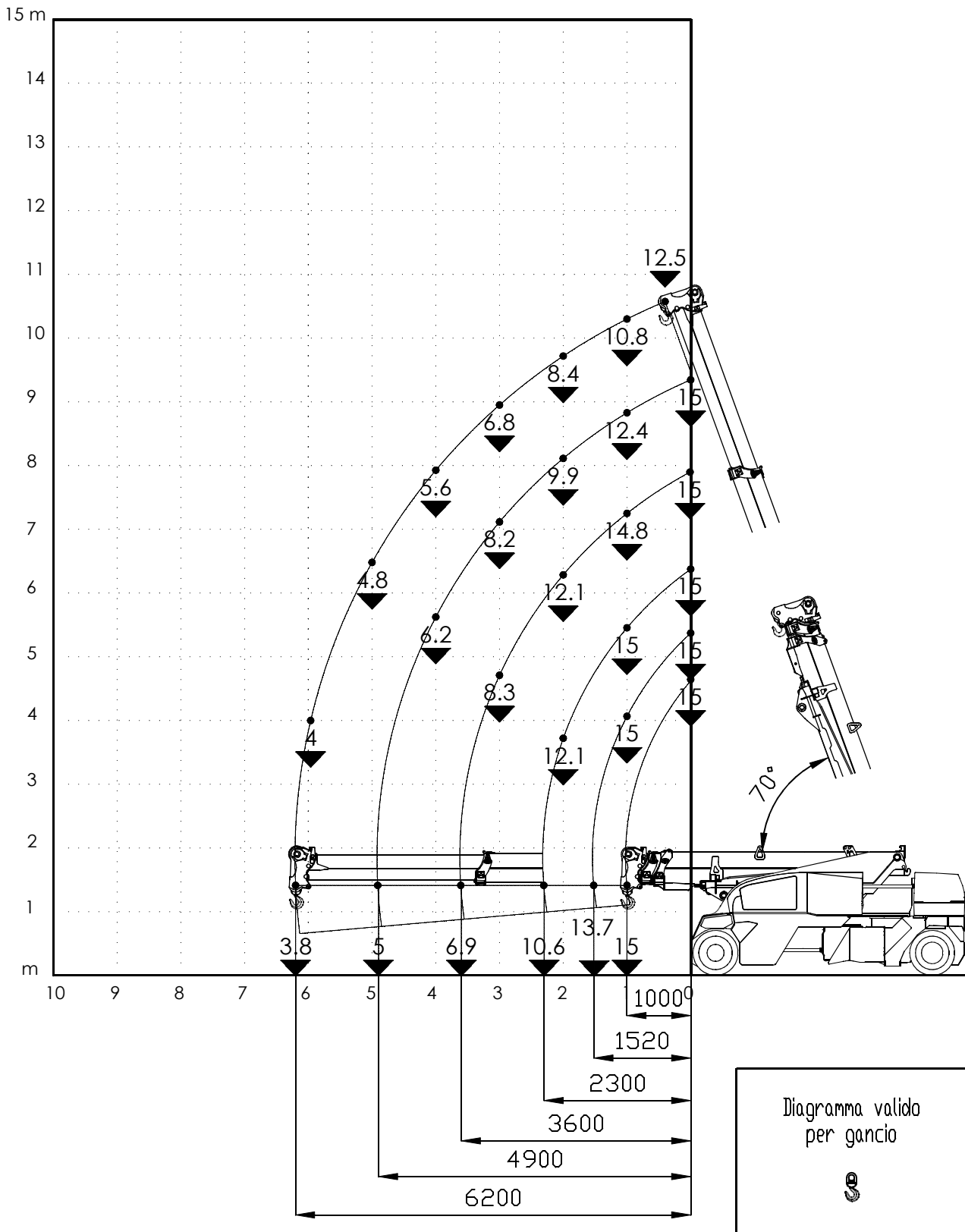


MC100.08

Braccio corto - Sfilo 800 - Z1+Z2
 Cod.:090-DIA-10129 Scala 1:75

DIAGRAMMA DELLE PORTATE (t)
 CAPACITY DIAGRAM (t)
 TRAGLASTDIAGRAMM (t)
 LASTENDIAGRAM (t)
 TABLEAU DES CHARGES (t)
 DIAGRAMA DE LAS CARGAS (t)

JMG



MC100.08

Braccio lungo - Silo 800 - Z1+Z2
 Cod.:090-DIA-10139 Scala 1:90

DIAGRAMMA DELLE PORTATE (t)
 CAPACITY DIAGRAM (t)
 TRAGLASTDIAGRAMM (t)
 LASTENDIAGRAM (t)
 TABLEAU DES CHARGES (t)
 DIAGRAMA DE LAS CARGAS (t)

JMG

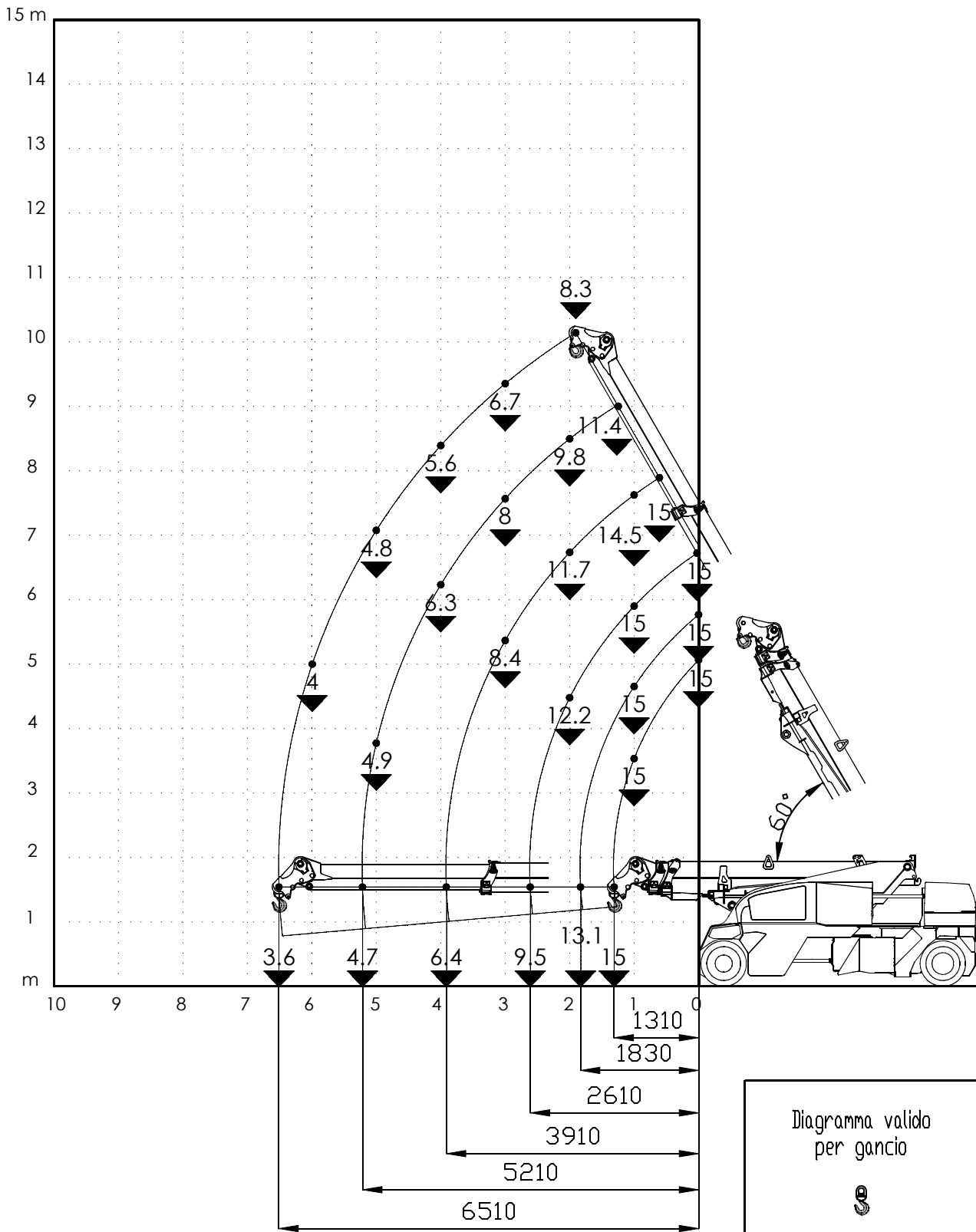


Diagramma valido per gancio



MC100.08

Braccio lungo - Sfilo 800 - Z1+Z2
 Cod.:090-DIA-10159 Scala 1:90

DIAGRAMMA DELLE PORTATE (t)
 CAPACITY DIAGRAM (t)
 TRAGLASTDIAGRAMM (t)
 LASTENDIAGRAM (t)
 TABLEAU DES CHARGES (t)
 DIAGRAMA DE LAS CARGAS (t)

JMG

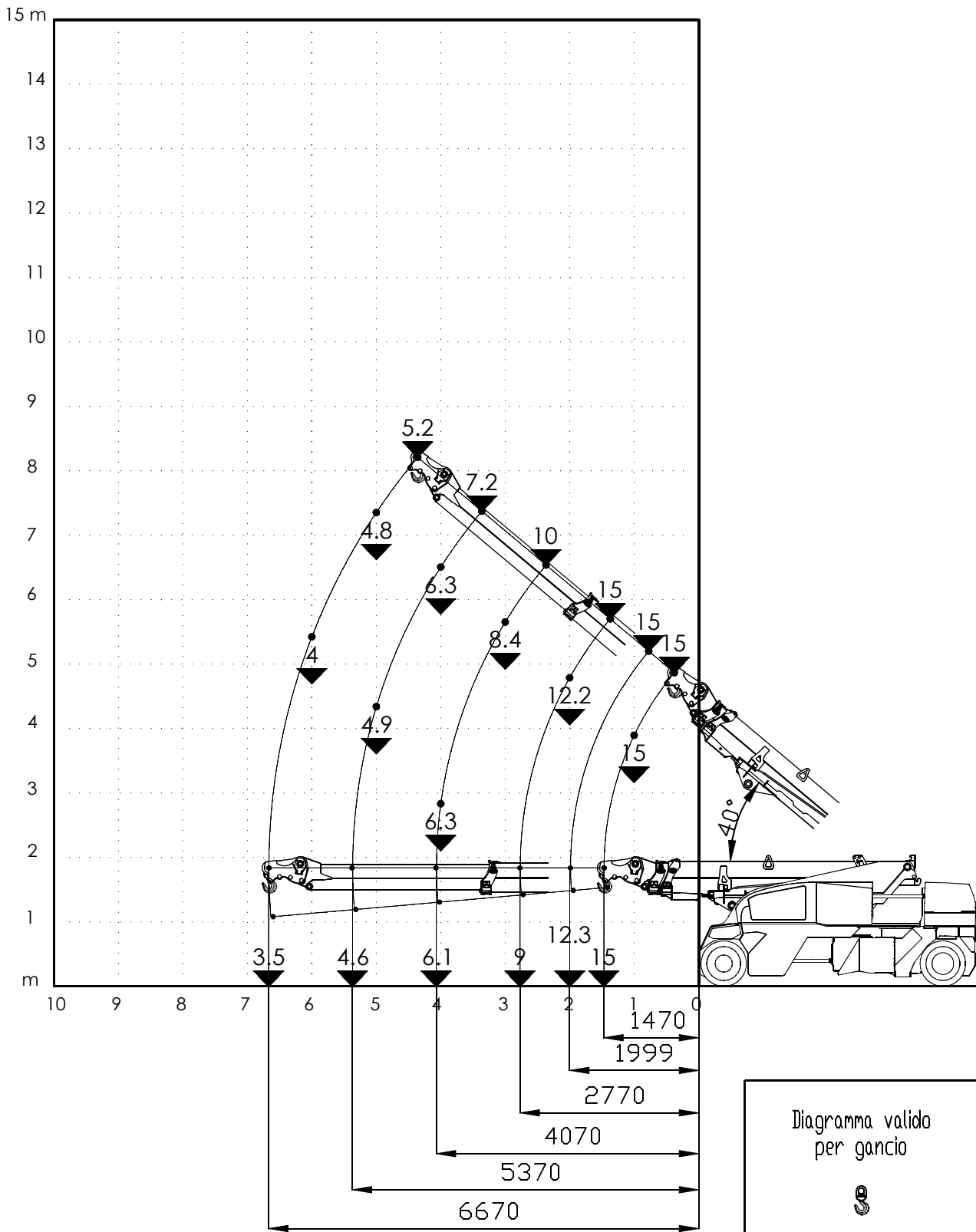


Diagramma valido
 per gancio

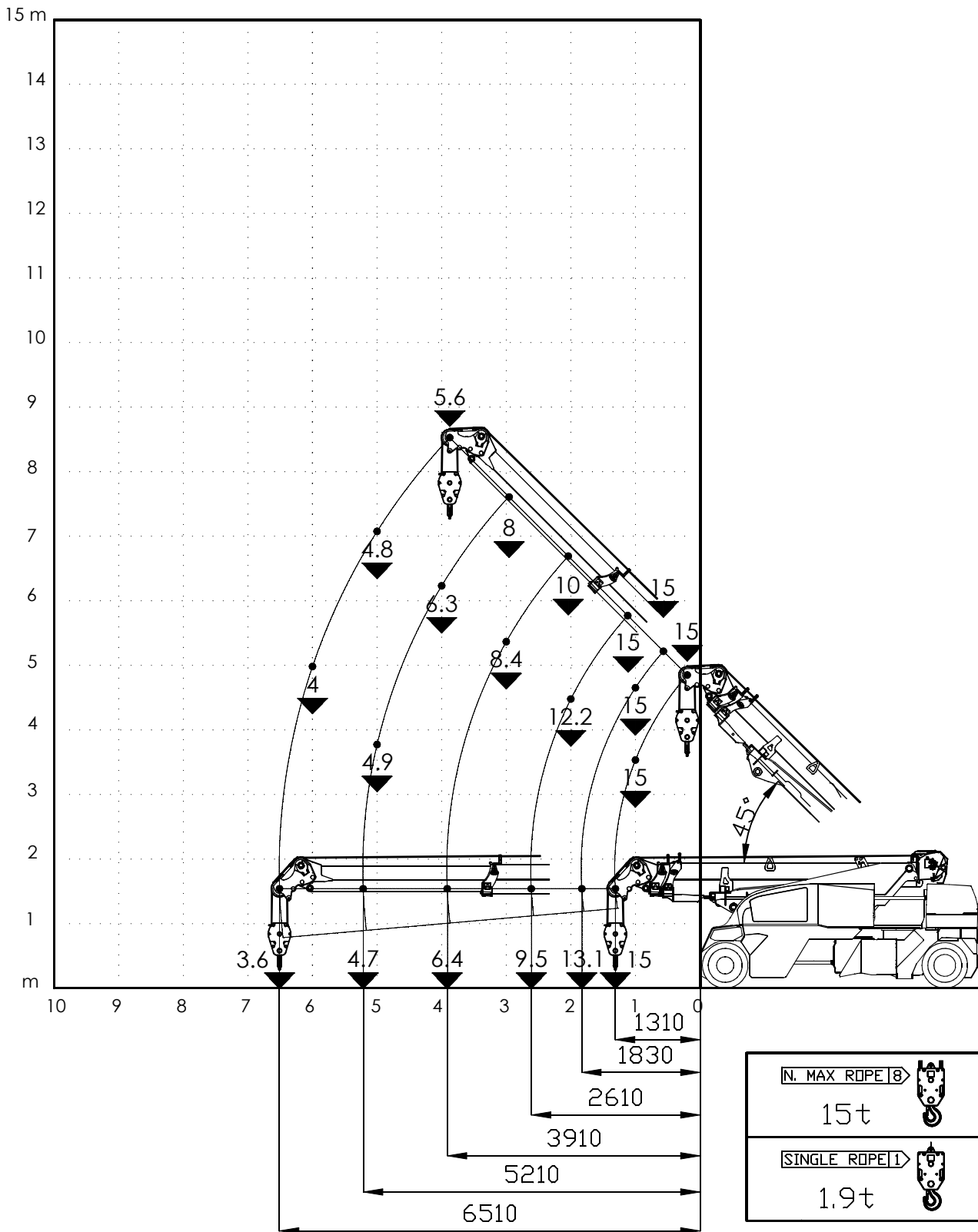


MC100.08

Braccio lungo - Sfilo 800 - Z1+Z2
 Cod.:090-DIA-10179 Scala 1:90

DIAGRAMMA DELLE PORTATE (t)
 CAPACITY DIAGRAM (t)
 TRAGLASTDIAGRAMM (t)
 LASTENDIAGRAM (t)
 TABLEAU DES CHARGES (t)
 DIAGRAMA DE LAS CARGAS (t)

JMG

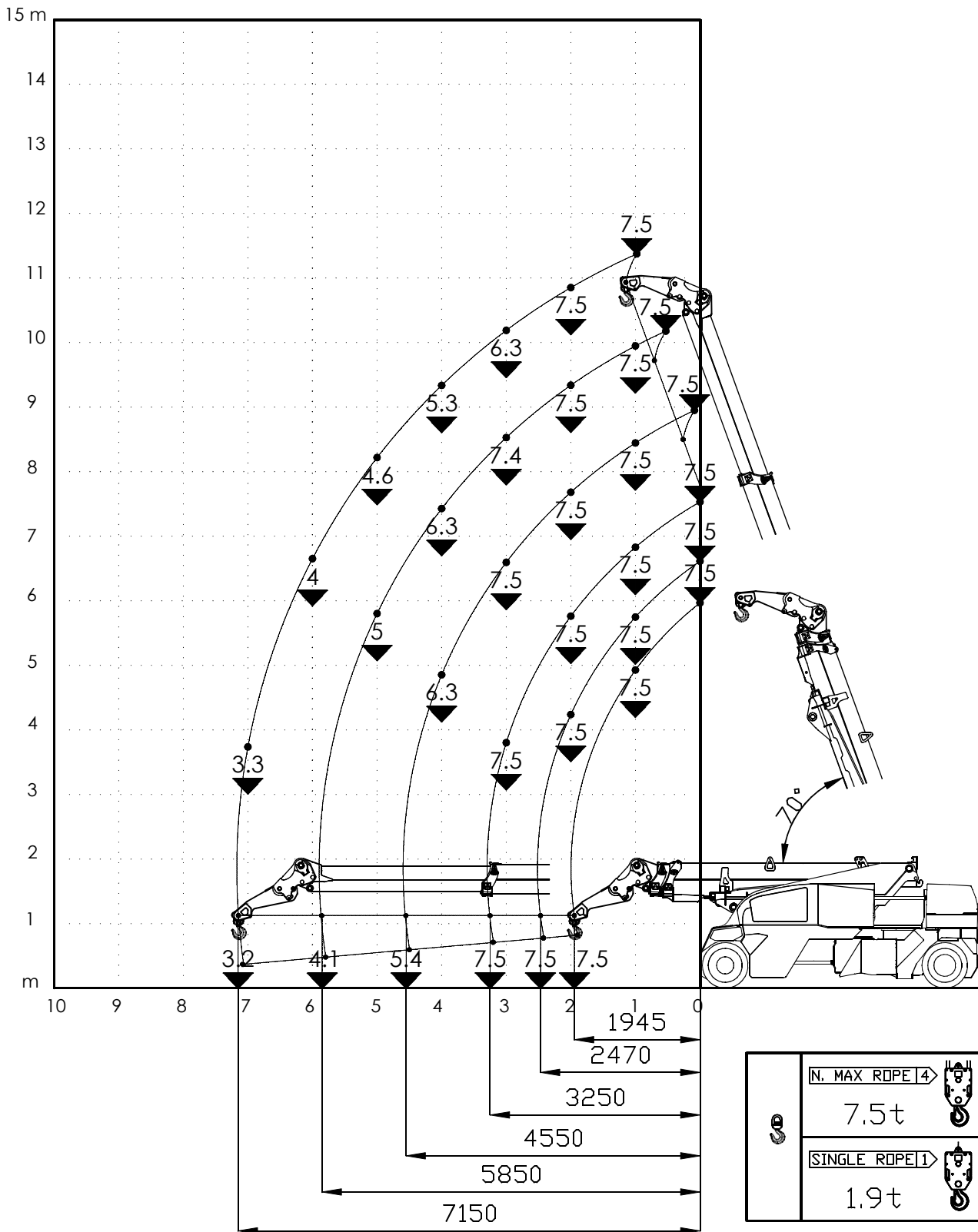


MC100.08

Braccio lungo - Sfilo 800 - Z1+Z2
 Cod.:090-DIA-10169 Scala 1:90

DIAGRAMMA DELLE PORTATE (t)
 CAPACITY DIAGRAM (t)
 TRAGLASTDIAGRAMM (t)
 LASTENDIAGRAM (t)
 TABLEAU DES CHARGES (t)
 DIAGRAMA DE LAS CARGAS (t)

JMG

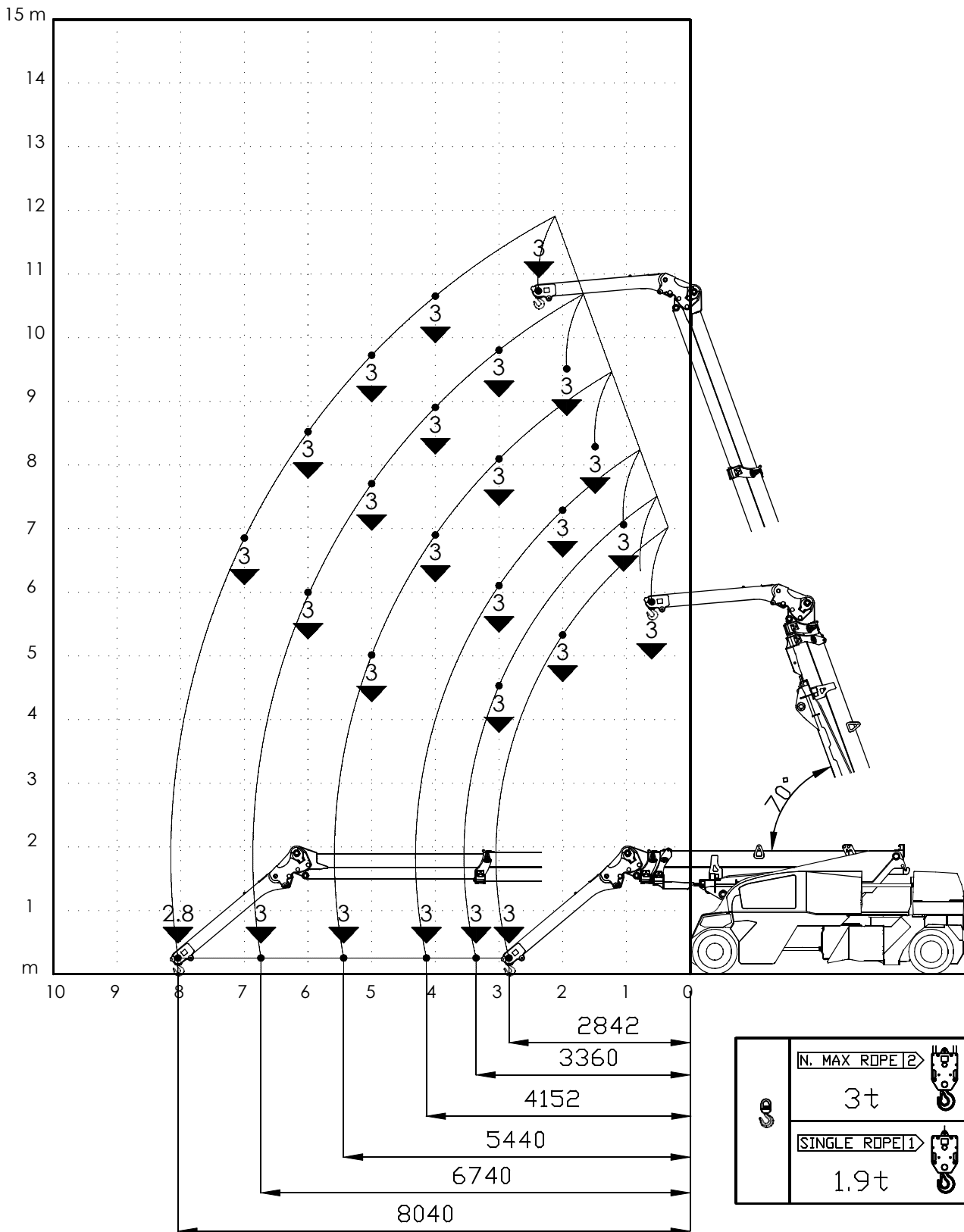


MC100.08

Braccio lungo - Sfilo 800 - Z1+Z2
 Cod.:090-DIA-10189 Scala 1:90

DIAGRAMMA DELLE PORTATE (t)
 CAPACITY DIAGRAM (t)
 TRAGLASTDIAGRAMM (t)
 LASTENDIAGRAM (t)
 TABLEAU DES CHARGES (t)
 DIAGRAMA DE LAS CARGAS (t)

JMG

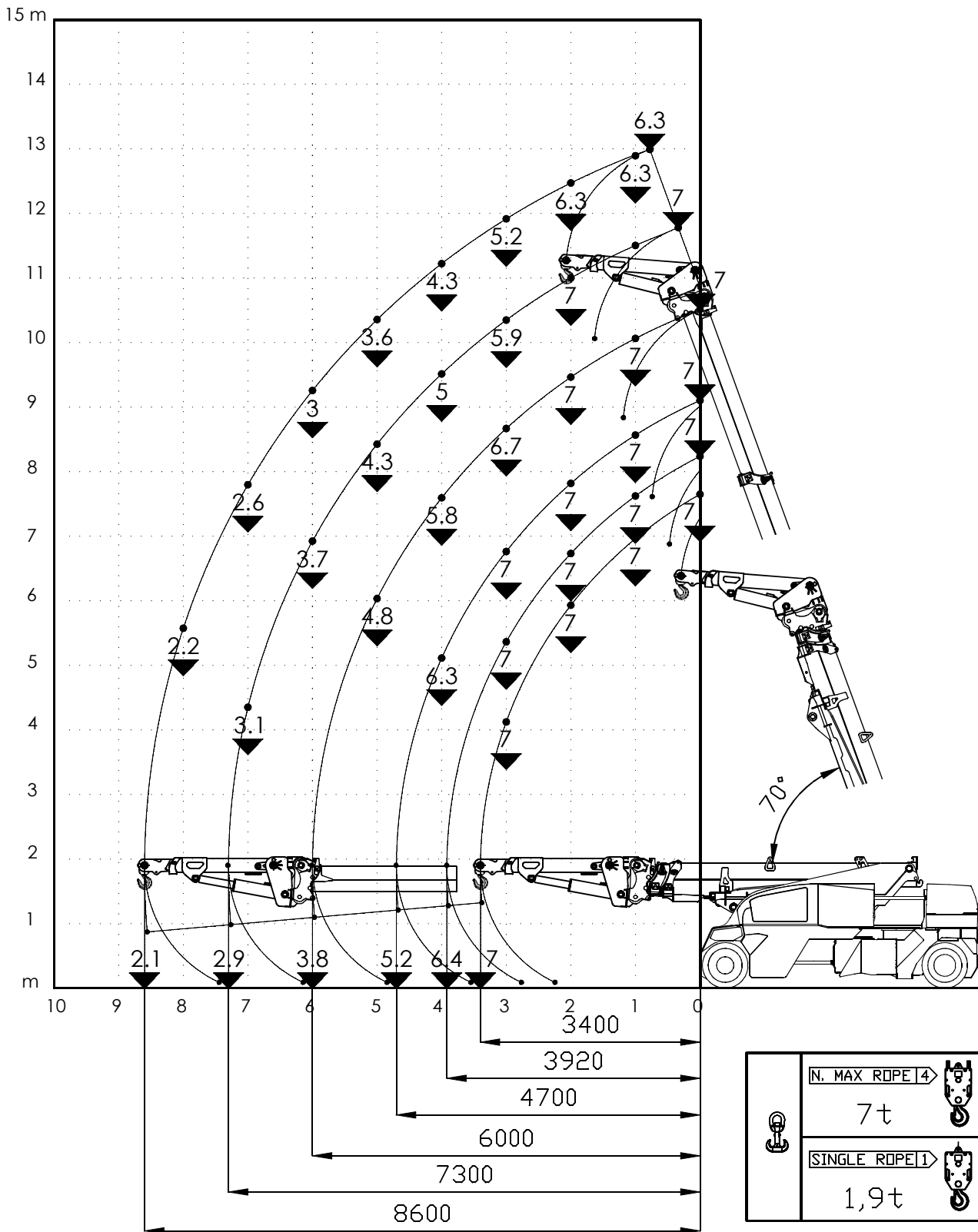


MC100.08

Braccio lungo - Sfilo 800 - Z1+Z2
 Cod.:090-DIA-10451 Scala 1:90

DIAGRAMMA DELLE PORTATE (t)
 CAPACITY DIAGRAM (t)
 TRAGLASTDIAGRAMM (t)
 LASTENDIAGRAM (t)
 TABLEAU DES CHARGES (t)
 DIAGRAMA DE LAS CARGAS (t)

JMG

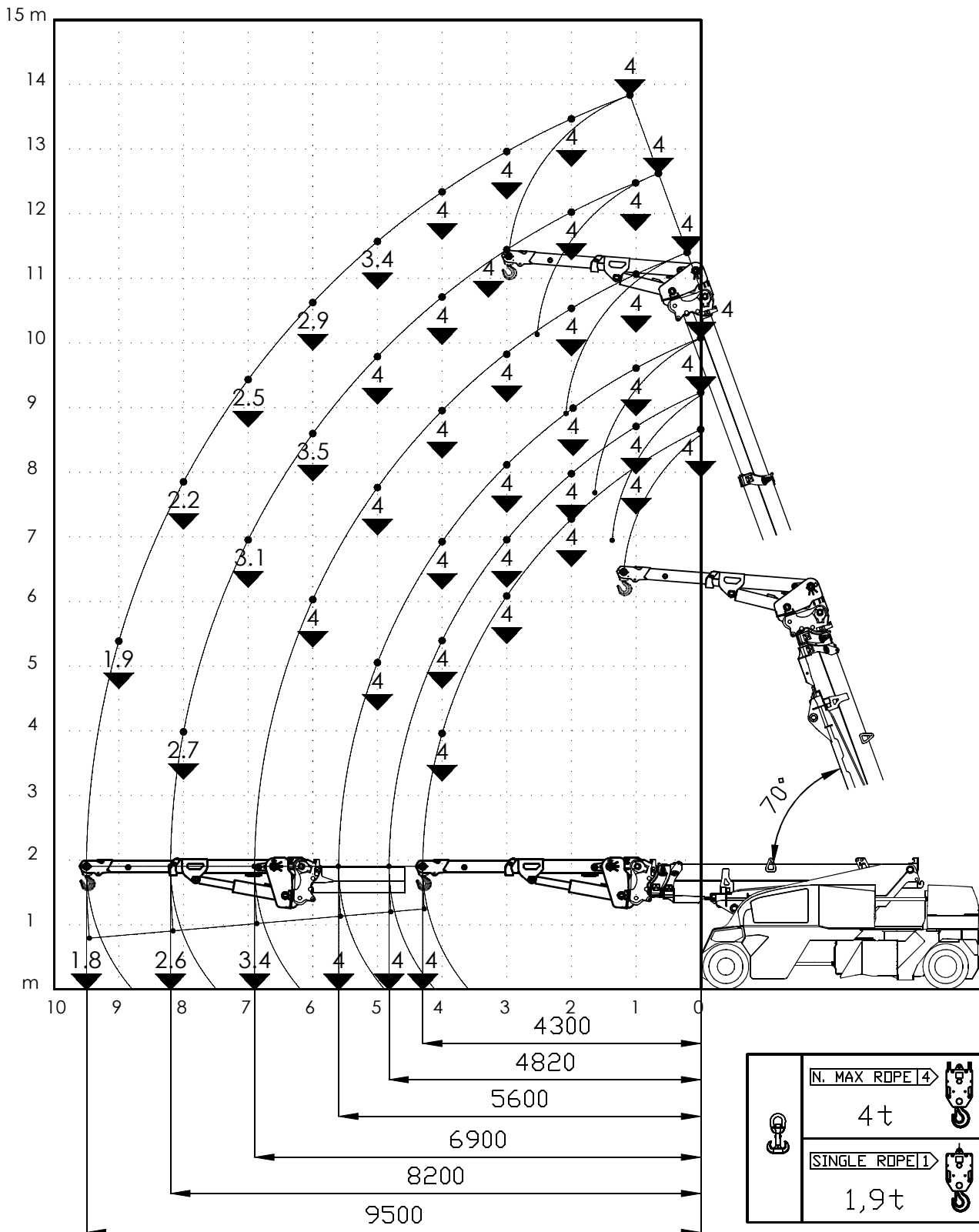


MC100.08

Braccio lungo - Sfilo 800 - Z1+Z2
 Cod.:090-DIA-10209 Scala 1:90

DIAGRAMMA DELLE PORTATE (t)
 CAPACITY DIAGRAM (t)
 TRAGLASTDIAGRAMM (t)
 LASTENDIAGRAM (t)
 TABLEAU DES CHARGES (t)
 DIAGRAMA DE LAS CARGAS (t)

JMG

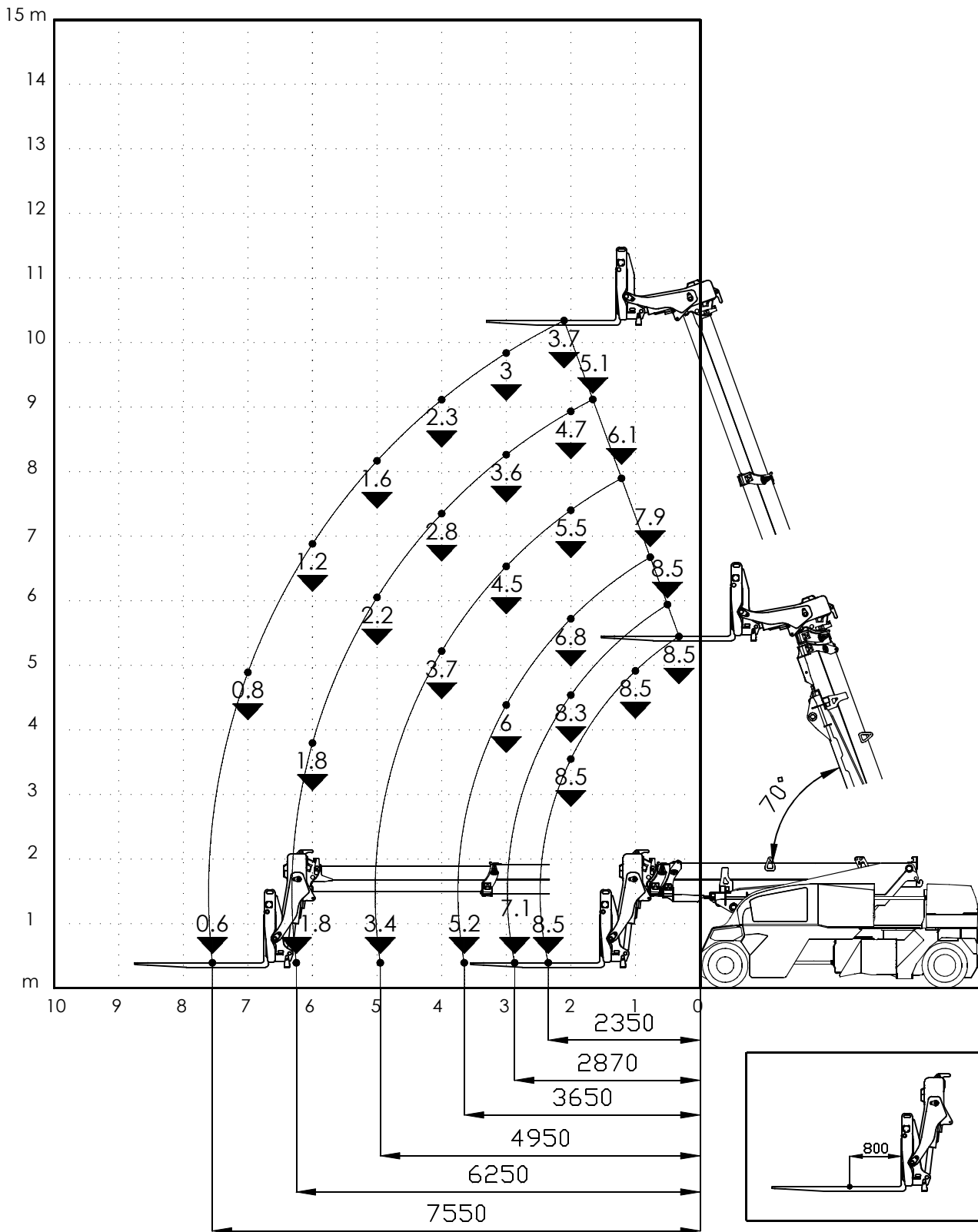


MC100.08

Braccio lungo - Sfilo 800 - Z1+Z2
 Cod.:090-DIA-10219 Scala 1:90

DIAGRAMMA DELLE PORTATE (t)
 CAPACITY DIAGRAM (t)
 TRAGLASTDIAGRAMM (t)
 LASTENDIAGRAM (t)
 TABLEAU DES CHARGES (t)
 DIAGRAMA DE LAS CARGAS (t)

JMG



MC100.08

Braccio lungo - Sfilo 800 - Z1+Z2
 Cod.:090-DIA-10229 Scala 1:90

DIAGRAMMA DELLE PORTATE (t)
 CAPACITY DIAGRAM (t)
 TRAGLASTDIAGRAMM (t)
 LASTENDIAGRAM (t)
 TABLEAU DES CHARGES (t)
 DIAGRAMA DE LAS CARGAS (t)

JMG

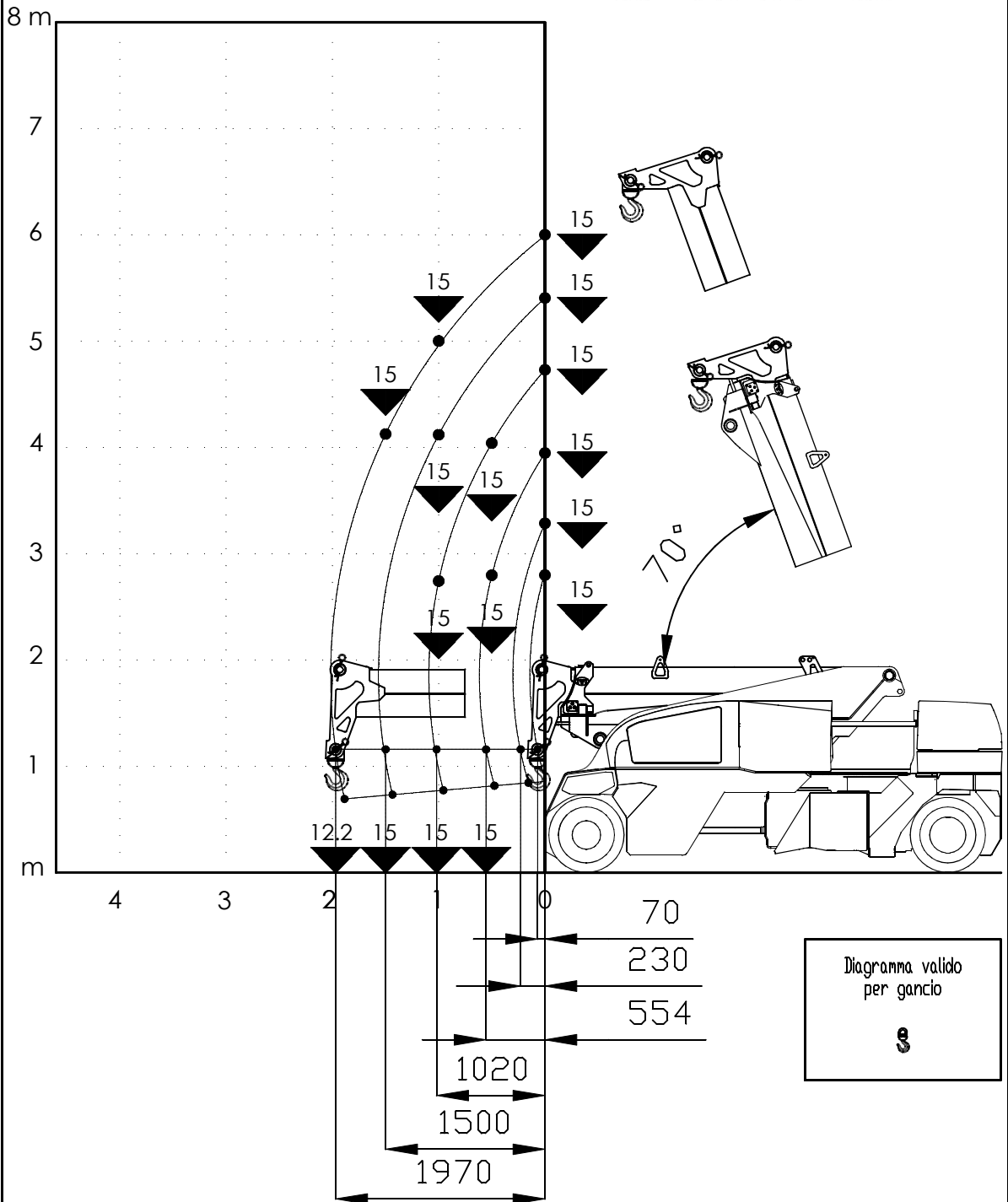


Diagramma valido
 per gancio
 §

MC100.08

Braccio singolo sfilo - Sfilo 800 - Z1+Z2
 Cod.:090-DIA-10236 Scala 1:50

DIAGRAMMA DELLE PORTATE (t)
 CAPACITY DIAGRAM (t)
 TRAGLASTDIAGRAMM (t)
 LASTENDIAGRAM (t)
 TABLEAU DES CHARGES (t)
 DIAGRAMA DE LAS CARGAS (t)

JMG

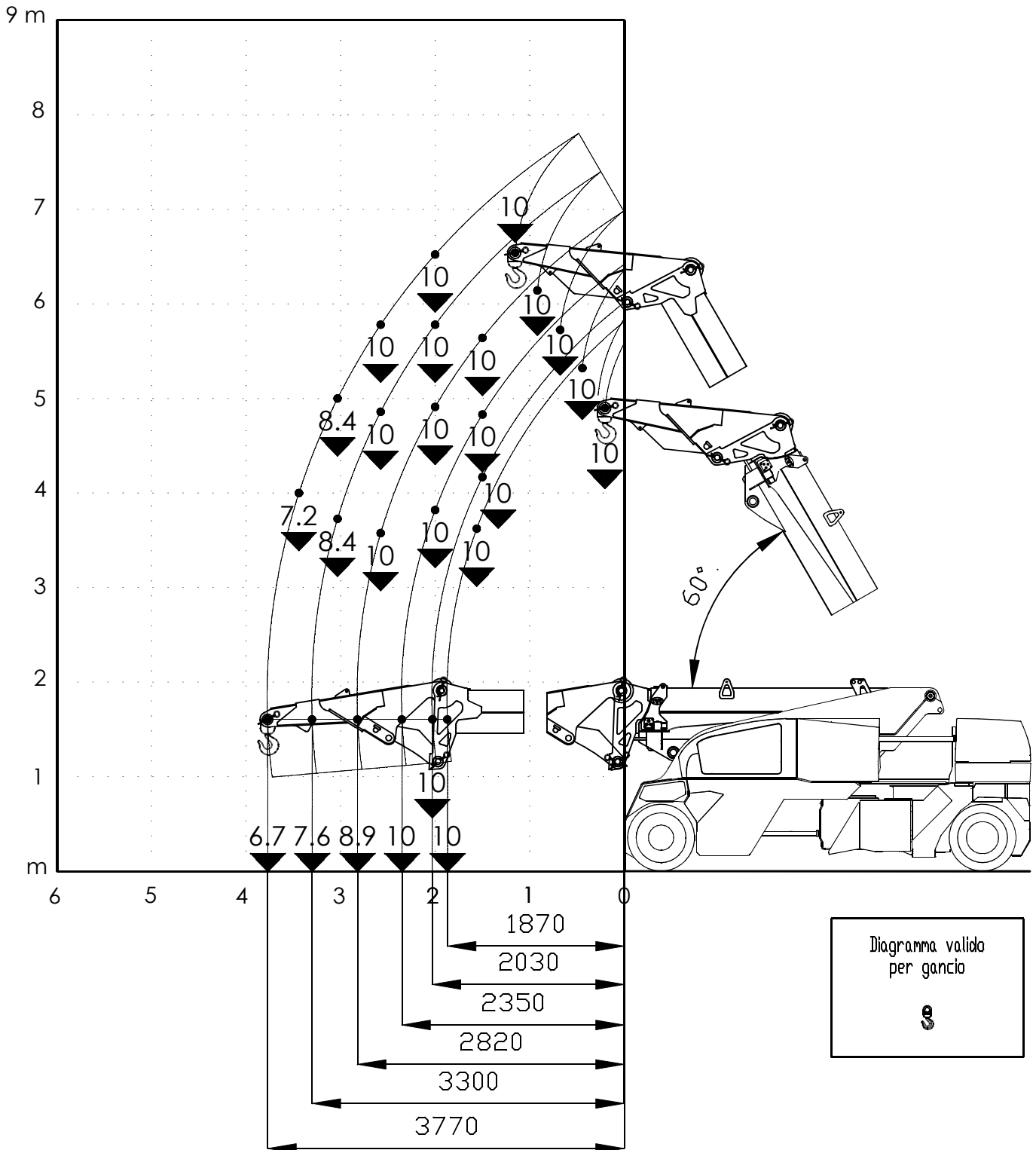



Diagramma valido
 per gancio


MC100.08

Braccio singolo sfilo - Sfilo 800 - Z1+Z2
 Cod.: 090-DIA-10391 Scala 1:60

DIAGRAMMA DELLE PORTATE (t)
 CAPACITY DIAGRAM (t)
 TRAGLASTDIAGRAMM (t)
 LASTENDIAGRAM (t)
 TABLEAU DES CHARGES (t)
 DIAGRAMA DE LAS CARGAS (t)

JMG

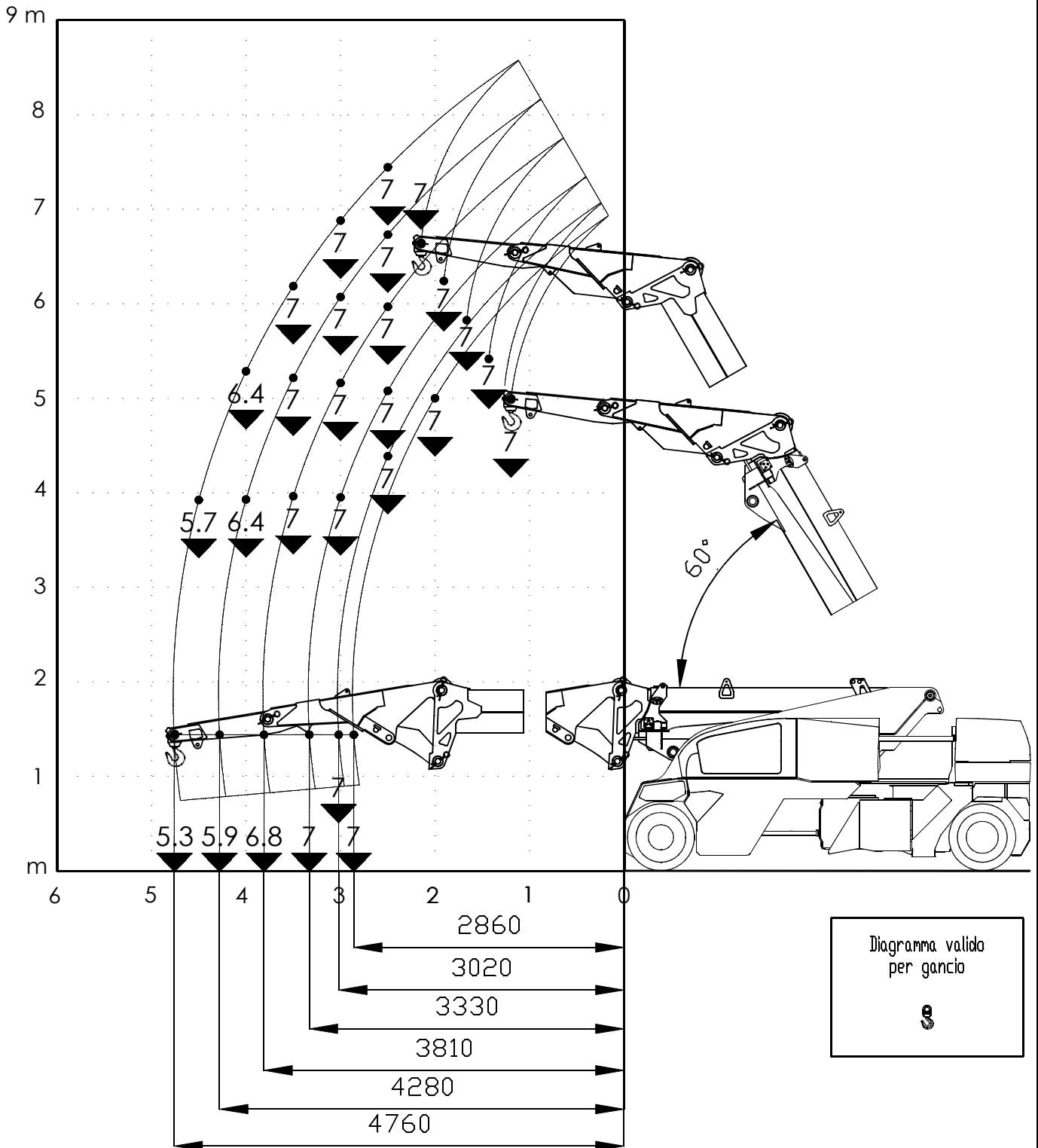



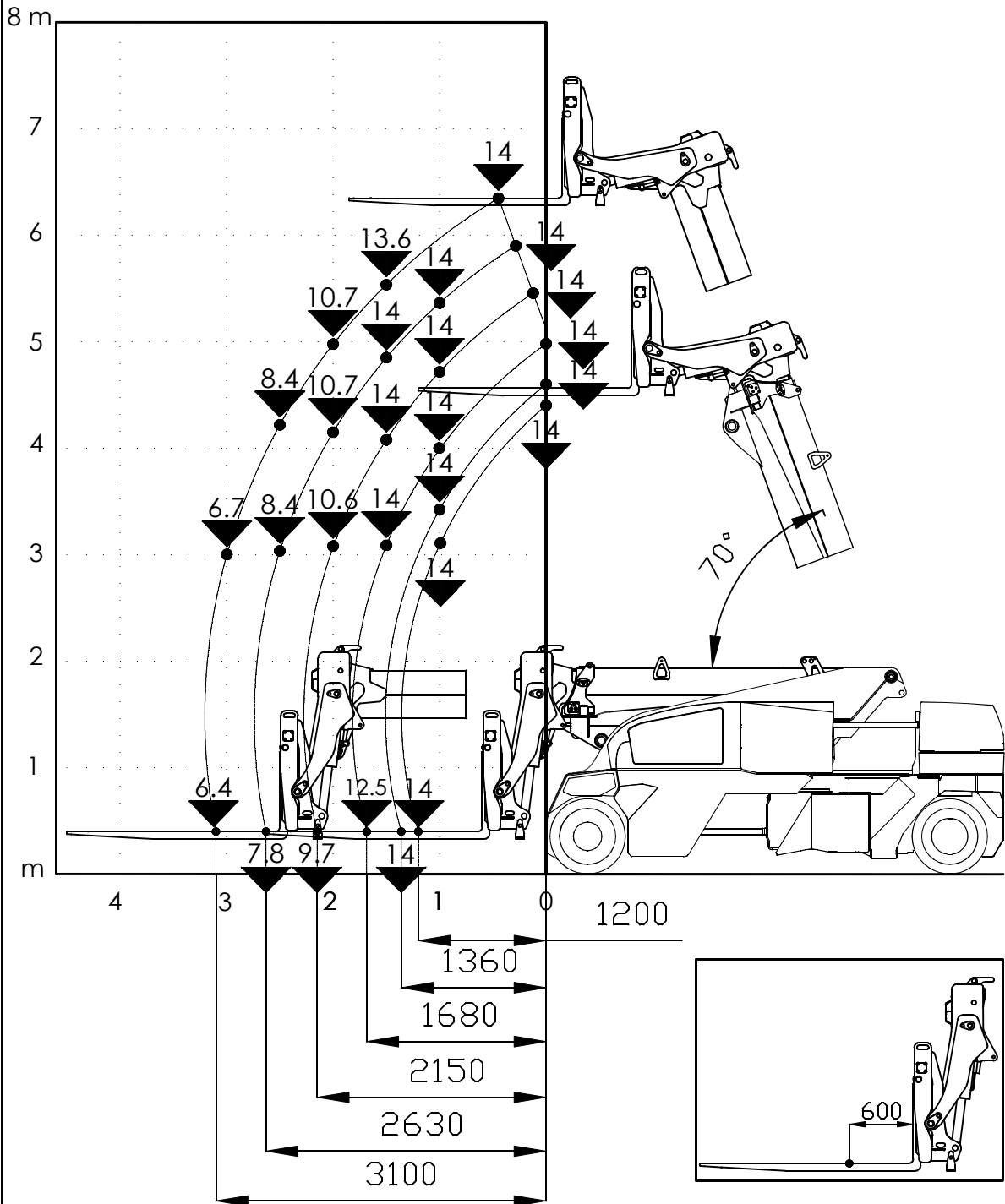
Diagramma valido
 per gancio


MC100.08

Braccio singolo sfilo - Sfilo 800 - Z1+Z2
 Cod.: 090-DIA-10411 Scala 1:60

DIAGRAMMA DELLE PORTATE (t)
 CAPACITY DIAGRAM (t)
 TRAGLASTDIAGRAMM (t)
 LASTENDIAGRAM (t)
 TABLEAU DES CHARGES (t)
 DIAGRAMA DE LAS CARGAS (t)

JMG



MC100.08

Braccio singolo sfilo - Sfilo 800 - Z1+Z2
 Cod.:090-DIA-10246 Scala 1:50